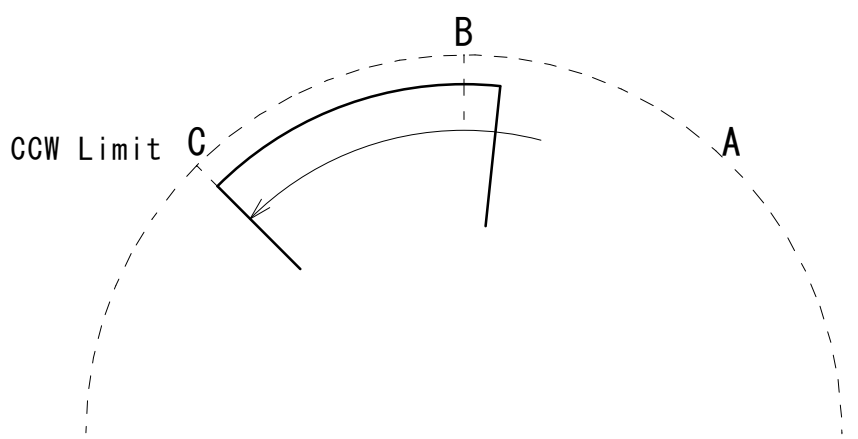
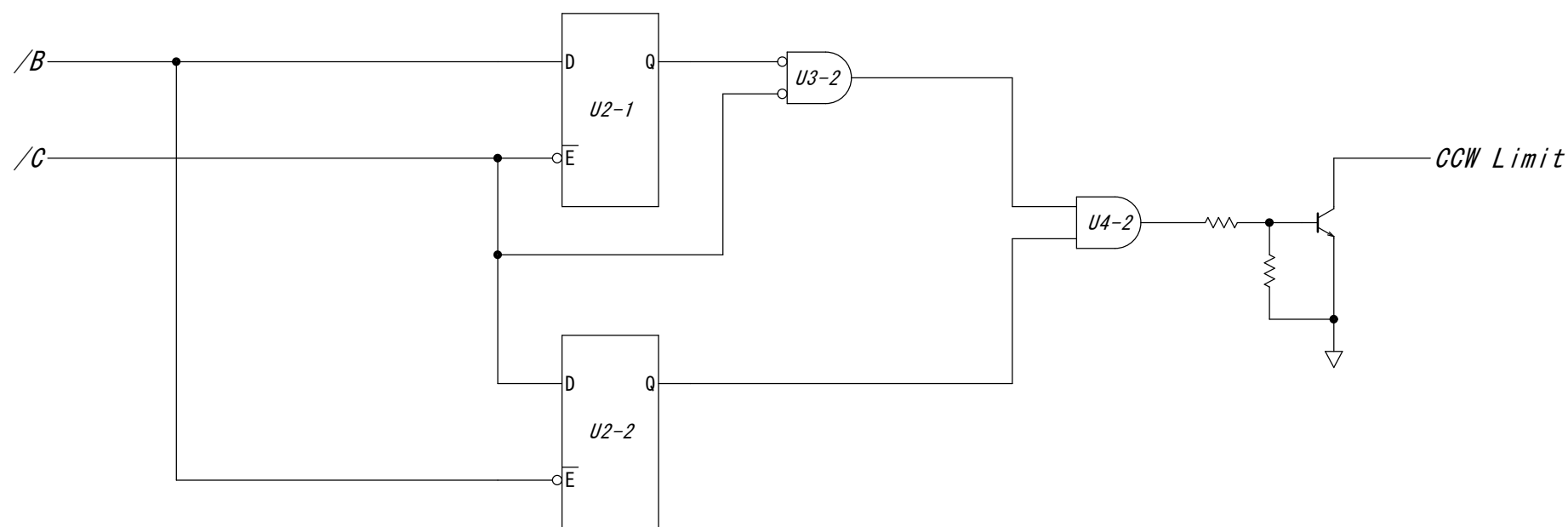
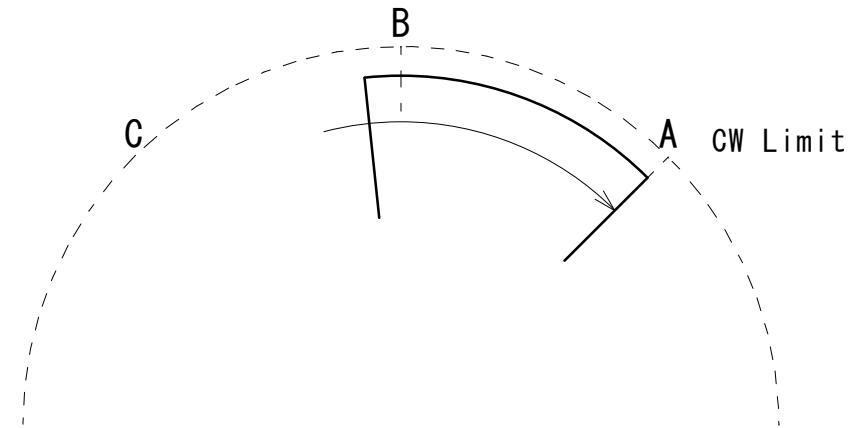
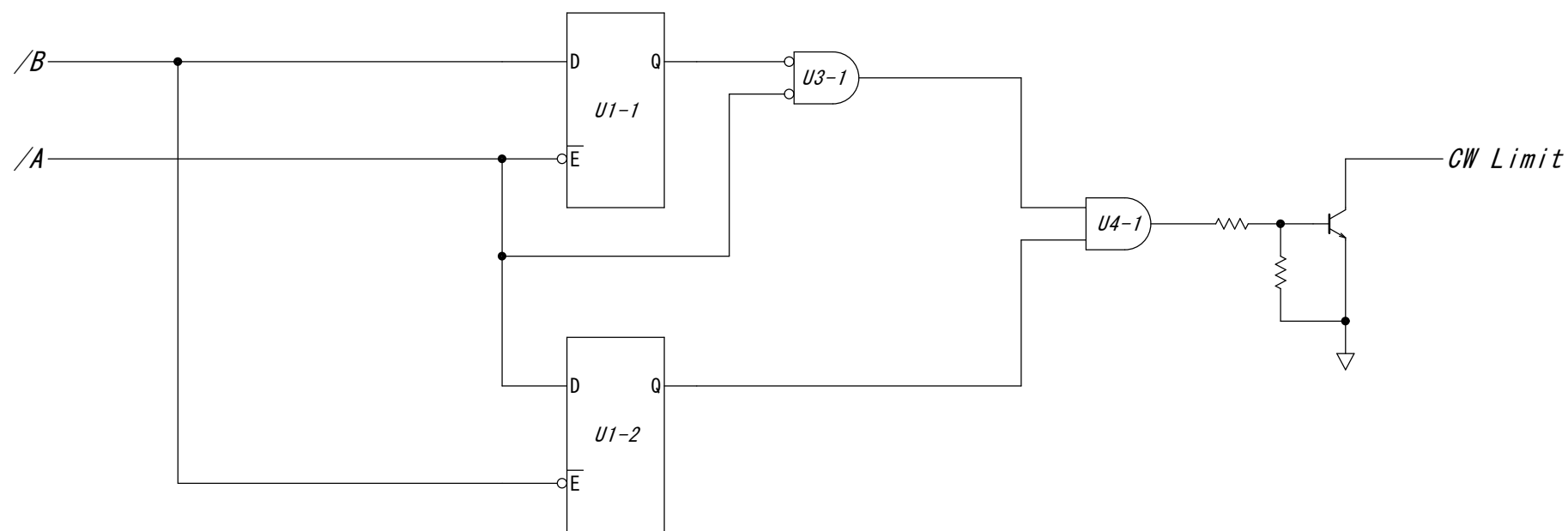


U1/U2: 74HC75 (2-Bit Bistable Transparent Latches)  
 U3 : 74HC02 (Quad 2Input NOR Gate)  
 U4 : 74HC08 (Quad 2Input AND Gate)



|    |     |      |    |    |         |            |            |        |  |          |            |        |
|----|-----|------|----|----|---------|------------|------------|--------|--|----------|------------|--------|
| △5 |     |      |    |    | 承認 APP  | 検図 CHK     | 設計 DSGN    | 製図 DWG |  | 尺度 SCALE | 名称 TITLE   |        |
| △4 |     |      |    |    |         |            |            |        |  | XX/XX    |            |        |
| △3 |     |      |    |    |         |            |            |        |  | DWG SIZE | 図番 DWG NO. | REVISE |
| △2 |     |      |    |    |         |            |            |        |  | A3       |            |        |
| △1 |     |      |    |    | 日付 DATE | 2020-XX-XX | 2024-08-01 |        |  |          |            |        |
| 順  | 改訂日 | 改訂内容 | 担当 | 承認 |         |            |            |        |  |          |            |        |